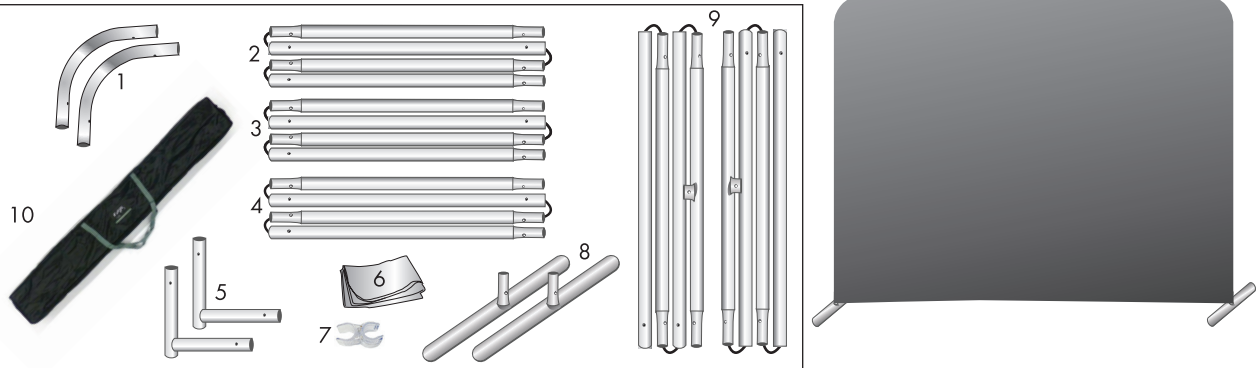


8FT & 10FT Wide Eurofit Straight Wall

Product Parts

- 1 - Top Corner Poles (x2)
- 2 - 4pc Top Pole
- 3 - 4pc Center Support Pole
- 4 - 4pc Bottom Pole
- 5 - Bottom Corner Poles (x2)
- 6 - Graphic
- 7 - Plastic Hinge Connector
- 8 - Feet (x2)
- 9 - 4pc Left and Right Pole
- 10 - Case



Display Set-Up

Step 1

Begin by removing all parts from the carry case and place on a clean, flat surface. Ensure you have all the components listed above. These are large displays and **requires two people** to assemble and apply the graphic to prevent damage.

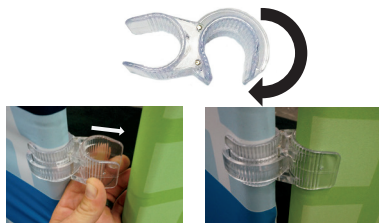
Step 3

Continue to connect the poles illustrated in the image below.



Plastic Hinge Connector

Used to connect all Eurofit Displays with 1.25" Diameter Poles.



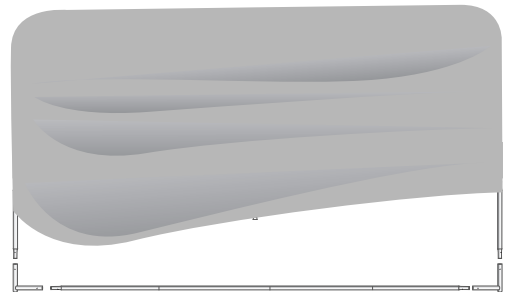
Step 2

Assemble all the poles by connecting the corresponding numbers together while pressing the snap button as shown. Poles are shock-corded for ease of assembly. **DO NOT** assemble feet until **Step 5**.



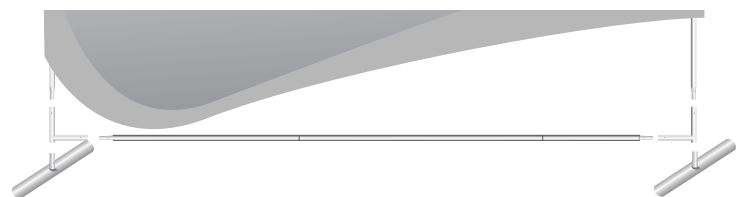
Step 4

Drape the Graphic (6) over the hardware as shown.



Step 5

Attach the feet and stand the display upright.



Storage & Care

Place all product parts into Carry Case and store in a cool dry location. Recommended for indoor use only. Machine wash on gentle cycle using mild detergent. Tumble Dry No Heat. Do NOT dry clean, Do NOT Iron.